



Instruction Manual  
For  
Reward Area fitted to Operant and 5/9 Hole Chambers and  
Monkey Cantab Systems

**Model 80210R with report by door, for food pellet rewards.  
For Rat, Mouse & Monkey food only.**

Campden Instruments Limited  
PO Box 8148  
Loughborough  
LE12 7XT  
UK

Tel: (+44) 01509 814790  
Fax: (+44) 01509 817701  
Email: [uksales@campdeninstruments.com](mailto:uksales@campdeninstruments.com)

Campden Instruments USA  
At Lafayette Instrument Co.  
3700 Sagamore Parkway North  
Lafayette  
Indiana 47903  
USA

Tel: (+1) 765 423 1505  
Fax: (+1) 765 423 4111  
Email: [ussales@campdeninstruments.com](mailto:ussales@campdeninstruments.com)

Oct 2006  
DCN  
Document Ref: 80210R Eng v1.0

## **Introduction**

The 80210R Reward Area is a standard accessory for the Campden range of 5/9 Hole and Lafayette Skinner and modular test chambers.

The 80210R Reward Area is intended for feeding pellet rewards for rat, mouse and monkey.

The unit has been designed as a low-cost reward area to complement the Model 80209-xx range of Pellet Dispensers.

The unit detects animal activity by using a microswitch to detect door opening and illumination is by a filament lamp.

The reward area is suitable for all pellet sizes up to and including 190mg.

## **Operation**

The 80210R Reward Area should be fitted to the chamber using ISO M3 screws into the front of the unit. See figure 1. The screws should not be over-tightened. Where use of the standard mounting points is not possible, various adapter plates are available.

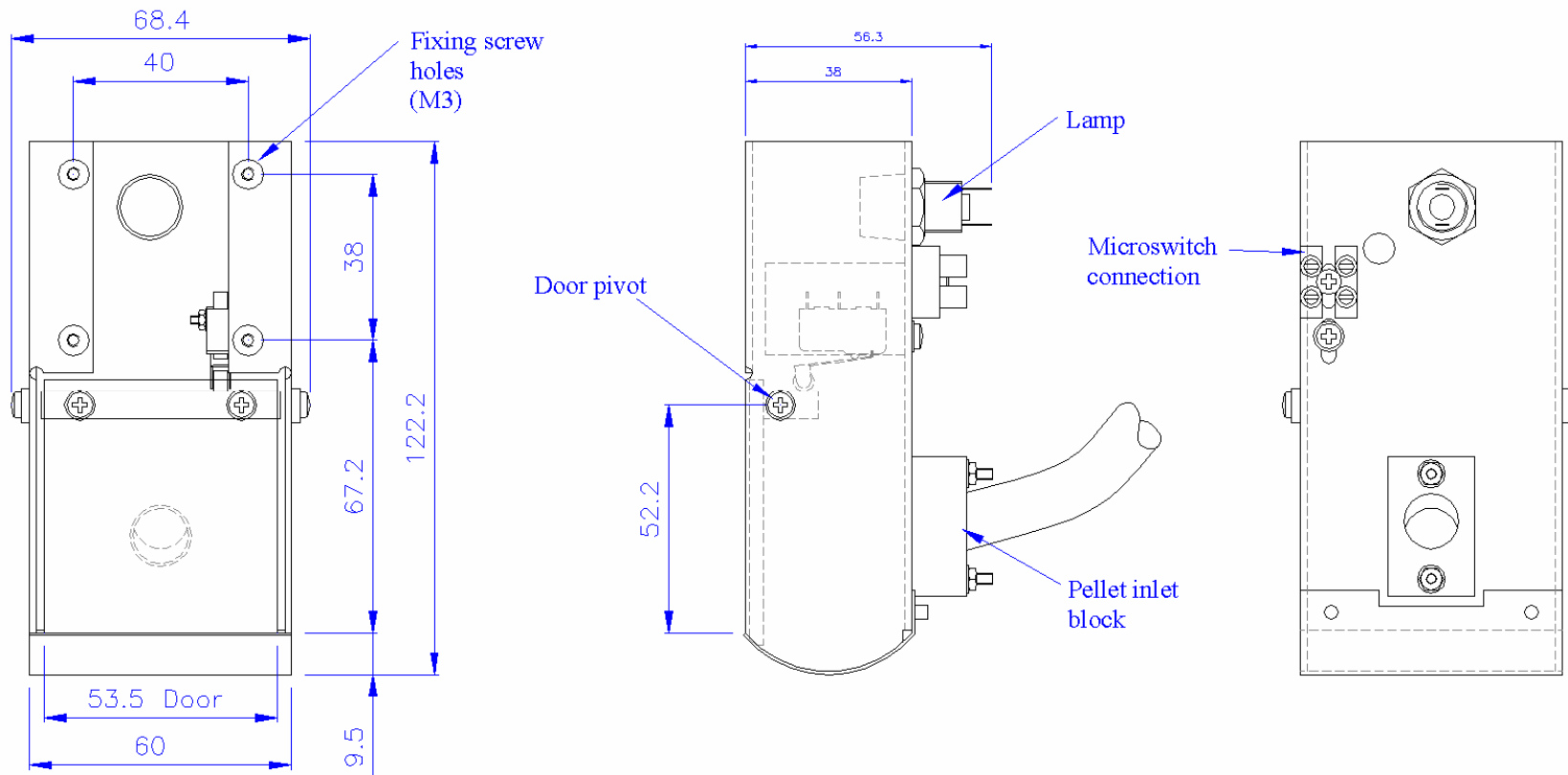
Connections to the door microswitch are made via the 2 way terminal block on the rear of the unit (see figure 1). A 2.5 mm diameter flat tipped screwdriver will be required. The connection to the lamp is by solder connection direct to the lamp terminals.

To use the reward area, connect the unit as above.

To operate the reward area light, apply a voltage of 24v across the connections.

The report line (microswitch terminals) will go closed circuit if the door is opened .

Pellets are introduced via the rear inlet. A suitable feed tube from your pellet dispenser should be inserted into the inlet boss. Take care not to kink or bend the tube too sharply otherwise pellets may jam in the tube and not be fed correctly.



**Figure 1 General layout of Reward Area 80210R**

## **Maintenance**

All electrical instruments and equipment should be periodically tested to ensure that they remain safe to use. In some countries this may be a statutory requirement. Your local Health and Safety Executive (or equivalent) will be able to advise on this matter.

The units contain no user-serviceable parts. Contact your dealer or Campden Instruments or Lafayette Instrument Co if you require assistance.

## **Cleaning**

All pellets create dust, regular cleaning with a small brush will dislodge dust accumulations and help maintain efficiency.

The inside of reward area base should be cleaned using a cloth dampened with clean, warm water. Take care not to allow water to reach any electrical components.

Solvents must not be used to clean any part of the unit.

## **Specifications**

Voltage requirements:	24-28 VDC
Operating current:	40 mA (light on)
Door microswitch:	Normally open contacts (door closed)

## **Part numbers:**

80210R	Reward Area
--------	-------------