

IR Mounting Kit Instruction Manual



P.O. Box 5729

Lafayette, IN 47903 USA

Tel: (765) 423-1505 • (800) 428-7545

Fax: (765) 423-4111

info@lafayetteinstrument.com

www.lafayetteinstrument.com

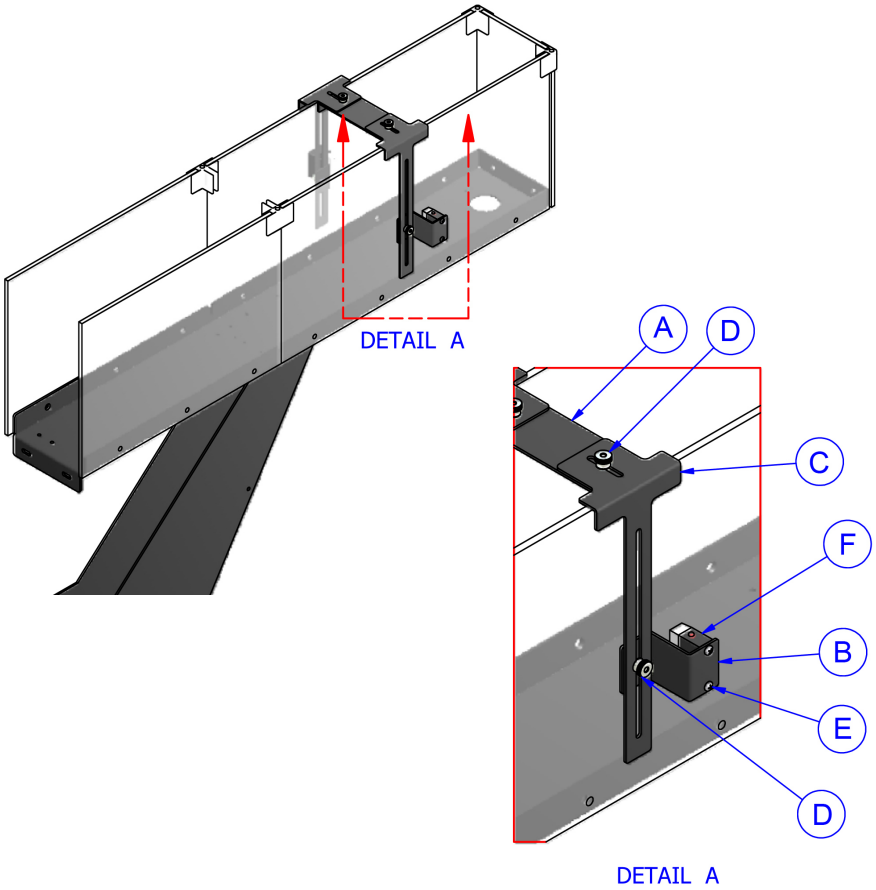
IR Mounting Kit

The 89010 IR Mounting Kit is designed to be used on the Lafayette 89000 Pathfinder Radial Arm Maze. It allows for quick assembly, alignment, and placement of an infrared photo sensor along the arms of the 89000 Radial Arm Maze. The mounting kit can be used with either the 58011A Photocell Control or the 81413 Photocell Control.

Assembly Instructions

1. Secure the IR light source and the IR receiver to the two sensor mounting brackets with the 4 machine screws that are included with the photocell control units.
2. Attach the two Vertical Slide Bars to the Cross Brace and place two of the supplied thumbscrews onto the threaded studs. Do not tighten down until assembly and placement of bracket is complete.
3. Place the threaded stud of the sensor mounting brackets into the long slots of the Vertical Slide Bars and place the remaining two thumbscrews onto the threaded studs. Again, do not tighten until final placement and alignment of the photo sensors is completed.
4. Place assembly over the walls of the Radial Arm Maze, adjust the Vertical Slide Bars into position that you desire and tighten the thumbscrews.
5. Place the IR light source in desired position, and secure in place with the thumbscrew.
6. Apply power to the photocell control, the power indicator lamp on the IR light source should be on. Align the IR receiver until the alignment indicator lamp comes on, and secure in place with the thumbscrew.
7. Connect the Normally Open and/or Normally Closed inputs to desired equipment (i.e. timer/counter or ABET), and begin to monitor subject's movements.





Parts List		
ITEM	QTY	DESCRIPTION
A	1	CROSS BRACE
B	2	SENSOR SLIDE BRACKET
C	2	VERTICAL SLIDE BRACKET
D	4	#6-32 THUMBSCREW
E	4	#4-40 x 1/8 PAN HEAD SCREW
F	2	IR SENSOR

Terms and Conditions

LIC Worldwide Headquarters

Toll-Free: (800) 428-7545 (USA only)

Phone: (765) 423-1505

Fax: (765) 423-4111

Email: sales@lafayetteinstrument.com

export@lafayetteinstrument.com (Outside the USA)

Mailing Address:

Lafayette Instrument Company

PO Box 5729

Lafayette, IN 47903, USA

Lafayette Instrument Europe:

Phone: +44 1509 817700

Fax: +44 1509 817701

Email: esuals@lafayetteinstrument.com

Phone, Fax, Email or Mail-in Orders

All orders need to be accompanied by a hard copy of your purchase order. All orders must include the following information:

- Quantity
- Part Number
- Description
- Your purchase order number or method of pre-payment
- Your tax status (include tax-exempt numbers)
- Shipping address for this order
- Billing address for the invoice we'll mail when this order is shipped
- Signature and typed name of person authorized to order these products
- Your telephone number
- Your email address
- Your FAX number

Domestic Terms

There is a \$50 minimum order. Open accounts can be extended to most recognized businesses. Net amount due 30 days from the date of shipment unless otherwise specified by us. Enclose payment with the order; charge with VISA, MasterCard, American Express, or pay COD. We must have a hard copy of your purchase order by mail, E-mail or fax. Students, individuals and private companies may call for a credit application.

International Payment Information

There is a \$50 minimum order. Payment must be made in advance by: draft drawn on a major US bank; wire transfers to our account; charge with VISA, MasterCard, American Express, or confirmed irrevocable letter of credit. Proforma invoices will be provided upon request.

Exports

If ordering instrumentation for use outside the USA, please specify the country of ultimate destination, as well as the power requirements (110V/60Hz or 220V/50Hz). Some model numbers for 220V/50Hz will have a "C" suffix.

Quotations

Quotations are supplied upon request. Written quotations will include the price of goods, cost of shipping and handling, if requested, and estimated delivery time frame. Quotations are good for 30 days, unless otherwise noted. Following that time, prices are subject to change and will be re-quoted at your request.

Cancellations

Orders for custom products, custom assemblies or instruments built to customer specifications will be subject to a cancellation penalty of 100%. Payment for up to 100% of the invoice value of custom products may be required in advance. Cancellation for a standard Lafayette Instrument manufactured product once the product has been shipped will normally be assessed a charge of 25% of the invoice value, plus shipping charges. Resell items, like custom products, will be subject to a cancellation penalty of 100%.

Exchanges and Refunds

Please see the cancellation penalty as described above. No item may be returned without prior authorization of Lafayette Instrument Company and a Return Goods Authorization (RGA#) number which must be affixed to the shipping label of the returned goods. The merchandise should be packed well, insured for the full value and returned along with a cover letter explaining the reason for return. Unopened merchandise may be returned prepaid within thirty (30) days after receipt of the item and in the original shipping carton. Collect shipments will not be accepted. Product must be returned in saleable condition, and credit is subject to inspection of the merchandise.

Repairs

Instrumentation may not be returned without first receiving a Return Goods Authorization Number (RGA). When returning instrumentation for service,

please call Lafayette Instrument to receive a RGA number. Your RGA number will be good for 30 days. Address the shipment to:

Lafayette Instrument Company

3700 Sagamore Parkway North

Lafayette, IN 47904, USA.

Shipments cannot be received at the PO Box. The items should be packed well, insured for full value, and returned along with a cover letter explaining the malfunction. An estimate of repair will be given prior to completion ONLY if requested in your enclosed cover letter. We must have a hard copy of your purchase order by mail or fax, or repair work cannot commence for non-warranty repairs.

Damaged Goods

Damaged instrumentation should not be returned to Lafayette Instrument prior to a thorough inspection. If a shipment arrives damaged, note damage on delivery bill and have the driver sign it to acknowledge the damage. Contact the delivery service, and they will file an insurance claim. If damage is not detected at the time of delivery, contact the carrier/shipper and request an inspection within 10 days of the original delivery. Please call the Lafayette Instrument Customer Service Department for repair or replacement of the damaged merchandise.

Limited Warranty

Lafayette Instrument Company warrants equipment manufactured by the company to be free of defects in material and workmanship for a period of one year from the date of shipment, except as provided hereinafter. The original manufacturer's warranty will be honored by Lafayette Instrument for items not manufactured by Lafayette Instrument Company, i.e. resell items. This assumes normal usage under commonly accepted operating parameters and excludes consumable products.

Warranty period for repairs or used instrumentation purchased from Lafayette Instrument is 90 days. Lafayette Instrument Company agrees either to repair or replace, at its sole option and free of part charges to the customer, instrumentation which, under proper and normal conditions of use, proves to be defective within the warranty period. Warranty for any parts of such repaired or replaced instrumentation shall be covered under the same limited warranty and shall have a warranty period of 90 days from the date of shipment or the remainder of the original warranty period whichever is greater. This warranty and remedy are given expressly and in lieu of all other warranties, expressed or implied, of merchantability or fitness for a particular purpose and constitutes the only warranty made by Lafayette Instrument Company.

Lafayette Instrument Company neither assumes nor authorizes any person to assume for it any other liability in connection with the sale, installation, service or use of its instrumentation. Lafayette Instrument Company shall have no liability whatsoever for special, consequential, or punitive damages of any kind from any cause arising out of the sale, installation, service or use of its instrumentation. All products manufactured by Lafayette Instrument Company are tested and inspected prior to shipment. Upon prompt notification by the Customer, Lafayette Instrument Company will correct any defect in warranted equipment of its manufacture either, at its option, by return of the item to the factory, or shipment of a repaired or replacement part. Lafayette Instrument Company will not be obliged, however, to replace or repair any piece of equipment, which has been abused, improperly installed, altered, damaged, or repaired by others. Defects in equipment do not include decomposition, wear, or damage by chemical action or corrosion, or damage incurred during shipment.

Limited Obligations Covered by this Warranty

1. In the case of instruments not of Lafayette Instrument Company manufacture, the original manufacturer's warranty applies.
2. Shipping charges under warranty are covered only in one direction. The customer is responsible for shipping charges to the factory if return of the part is required.
3. This warranty does not cover damage to components due to improper installation by the customer.
4. Consumable and/or expendable items, including but not limited to electrodes, lights, batteries, fuses, O-rings, gaskets, and tubing, are excluded from warranty.
7. Failure by the customer to perform normal and reasonable maintenance on instruments will void warranty claims.
8. If the original invoice for the instrument is issued to a company that is not the company of the end user, and not an authorized Lafayette Instrument Company distributor, then all requests for warranty must be processed through the company that sold the product to the end user, and not directly to Lafayette Instrument Company.

Export License

The U.S. Department of Commerce requires an export license for any polygraph system shipment with an ULTIMATE destination other than: Australia, Japan, New Zealand or any NATO Member Countries. It is against U.S. law to ship a Polygraph system to any other country without an export license. If the ultimate destination is not one of the above listed countries, contact us for the required license application forms.